

45' Boom Lift Articulated

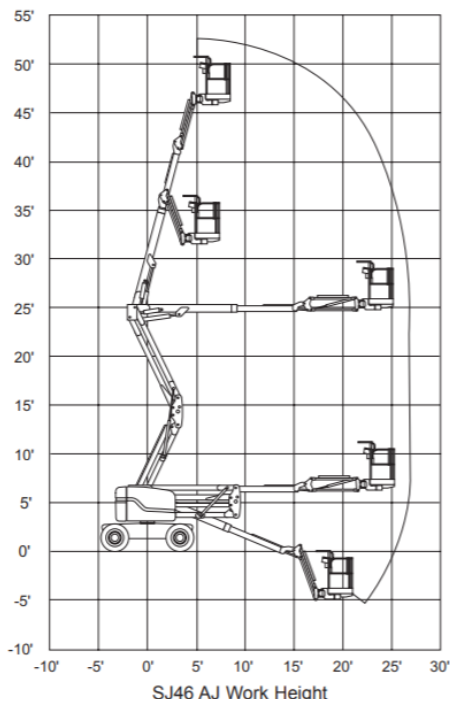
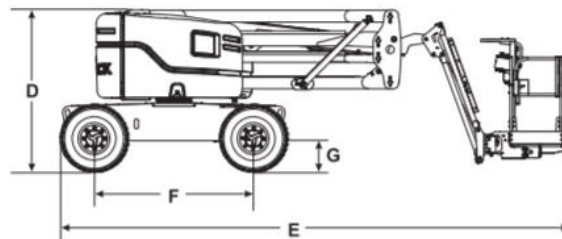
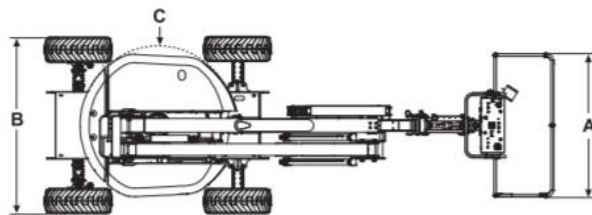
Specifications	SJ46 AJ
Rotation	355° NC
Platform Rotation	170°
Jib Length	5' (1.52 m)
Jib Range +/-	+70° / -75°
Weight	13,300 lbs (6,033 kg)
Gradeability	45%
Turning Radius (Inside)	98" (2.49 m)
Turning Radius (Outside)	178" (4.52 m)
Axle Oscillation	5" (12.70 cm)
Drive Speed (High speed)	4.8 mph (7.7 km/h)
Capacity	500 lbs (227 kg)
Local Floor Load (With Rated Load)	115 psi (793 kPa)
Overall Floor Load (With Rated Load)	200 psf (9.58 kPa)
Maximum # of Persons	2
Tire Type	Air Filled
Tire Size	12 x 16.5
Diesel Engine	48 HP



TECHNICAL SHEET

45' Boom Lift Articulated

Dimensions	SJ46 AJ
Work Height	52'3" (15.93 m)
Platform Height	46'3" (14.10 m)
Horizontal Reach	24'9" (7.54 m)
Up and Over Height	24'5" (7.45 m)
A Platform Size	30" x 72" (0.76 x 1.83 m)
B Stowed Width	90" (2.29 m)
C Tailswing	Zero
D Stowed Height	82" (2.06 m)
E Stowed Length	20' 10" (6.35 m)
F Wheelbase	80" (2.03 m)
G Ground Clearance	16" (0.39 m)



TECHNICAL SHEET