



ECO RENTALS

Free Delivery - Brand New Equipment

LIGHT TOWER LTV-6L TECHNICAL SPECIFICATIONS



Operating Data		
L x W x H	180.4 x 59.3 x 73.2	in
Operating Weight	1,693	lb.
Shipping Weight	1,642	lb.
Illumination Coverage at 5 fc (54 lux)	12,96	ft2
Lamp type	Metal Halide	
Mast Height	30	ft.
Sound Level (LwA) at 23 ft /7m.) dB(A)	67	
Power	6	kW
Frequency	60	Hz
Voltage	120	V

ENGINE / MOTOR		
Generator Model	Brushless	
Generator Insulation (Class)	H	
Idle to full load %	10	
Engine Manufacturer	Kohler	
Engine Type	Liquid - Cooler 3 - Cylinder	
Fuel Type	Diesel	
Displacement	63.7	in3.
Operating Performance	13.4	Hp.
At rpm	1.800	rpm
Rated Performance	ISO 3046 IFN	
Tank Capacity Oil	2.5	qt.
Tank Capacity Fuel	32.5	Gal.
Fuel Consumption Prime Load US	0.45	gal/h.
Runtime Prime Load	67	h.



www.ecorentalsllc.com
786-641-7005

info@ecorentalsllc.com
786-641-3900

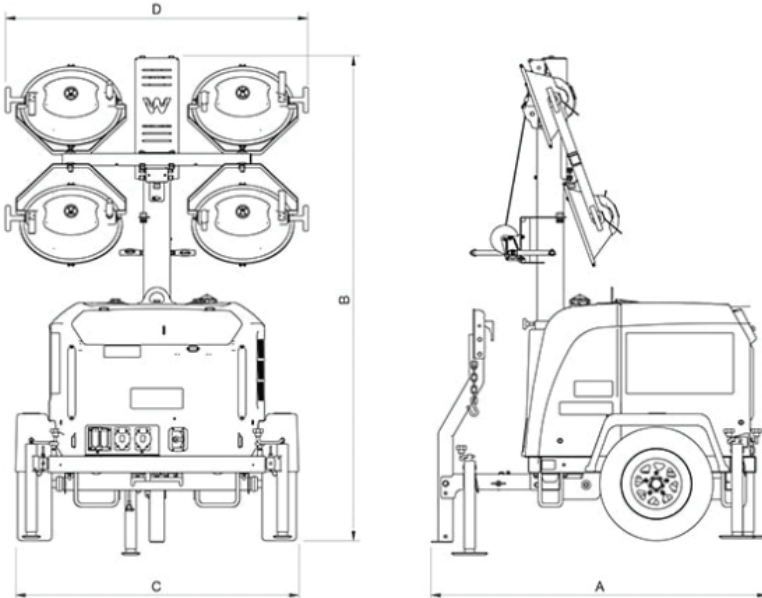


ECO RENTALS

Free Delivery - Brand New Equipment

LIGHT TOWER LTV-6L TECHNICAL SPECIFICATIONS

Type	Dimensions	Imperial	Metric
A	Length with tongue up	67 in.	1,70 m.
A	Length with tongue down	101 in.	2.56 m.
B	Mast Height retracted	8.2 ft.	2,59 m.
B	Mast Height extended	23 ft.	7 m.
C	Width with outriggers retracted	58 in.	1,47 m.
C	Width with outriggers extended	118.5 in.	30 m.
D	Width	62 in.	1,57 m.



www.ecorentalsllc.com
786-641-7005

info@ecorentalsllc.com
786-641-3900