



ECO RENTALS

Free Delivery - Brand New Equipment

ELECTRICAL SCISSOR LIFT 2632ES TECHNICAL SPECIFICATIONS

PERFORMANCE SPECIFICATIONS	Imperial	Metric
Platform Height - Elevated	25'6"	7.77 m.
Platform Capacity	500/800 lb	227/363 kg.
Maximum Drive Height	Fully Elevated	
Capacity on Deck Extension	250 lb	113 kg.
Weight	4,635 lb	2,103 kg.
Ground Bearing Pressure	90 psi	6.32 kg/cm ²
Drive Speed Elevated	0.5 mph	0.8 km/h
Drive Speed Lowered	3.5 mph	5.6 km/h
Gradeability	25%	
Turning Radio (Inside)	Zero	
Turning Radio (Outside)	81 in.	2.06 m.

POWER SOURCE		
Batteries	4x6v.220 Amp-hr.	
Charger	20 Amp Automatic	
Drive	24V Electric	8hp

HYDRAULIC RESERVOIR		
Capacity	1.25 gal.	4.73 l.
Pump	Fixed Displacement Gear	

TIRES - NON MARKING SOLID		
Size	12.5 x 4"	318 x 100 mm.

BRAKES		
Electric / Friction		

www.ecorentalsllc.com
786-641-7005

info@ecorentalsllc.com
786-641-3900

ELECTRICAL SCISSOR LIFT 2632ES

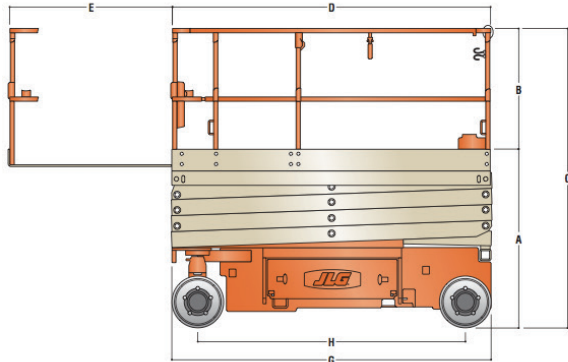
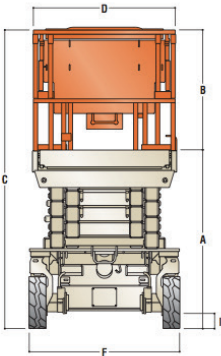


ECO RENTALS

Free Delivery - Brand New Equipment

ELECTRICAL SCISSOR LIFT 2632ES TECHNICAL SPECIFICATIONS

DIMENSIONS			
A	Platform Height - Lowered	48.5 in.	1.23 m.
B	Platform Railing Height	44.9 in.	1.14 m.
C	Overall Height- Rails Lowered	7' 9.4"	2.37 m.
D	Platform Size	30 x 90.5"	0.76 x 2.23 m.
E	Platform Extension	35.5"	0,9 m.
F	Overall Width	32"	0.81 m.
G	Overall Length	7' 6.5"	2,30 m.
H	Wheelbase	6' 2"	1.88 m.
I	Ground Clearance	3.5"	0.089 m.



www.ecorentalsllc.com
786-641-7005

info@ecorentalsllc.com
786-641-3900